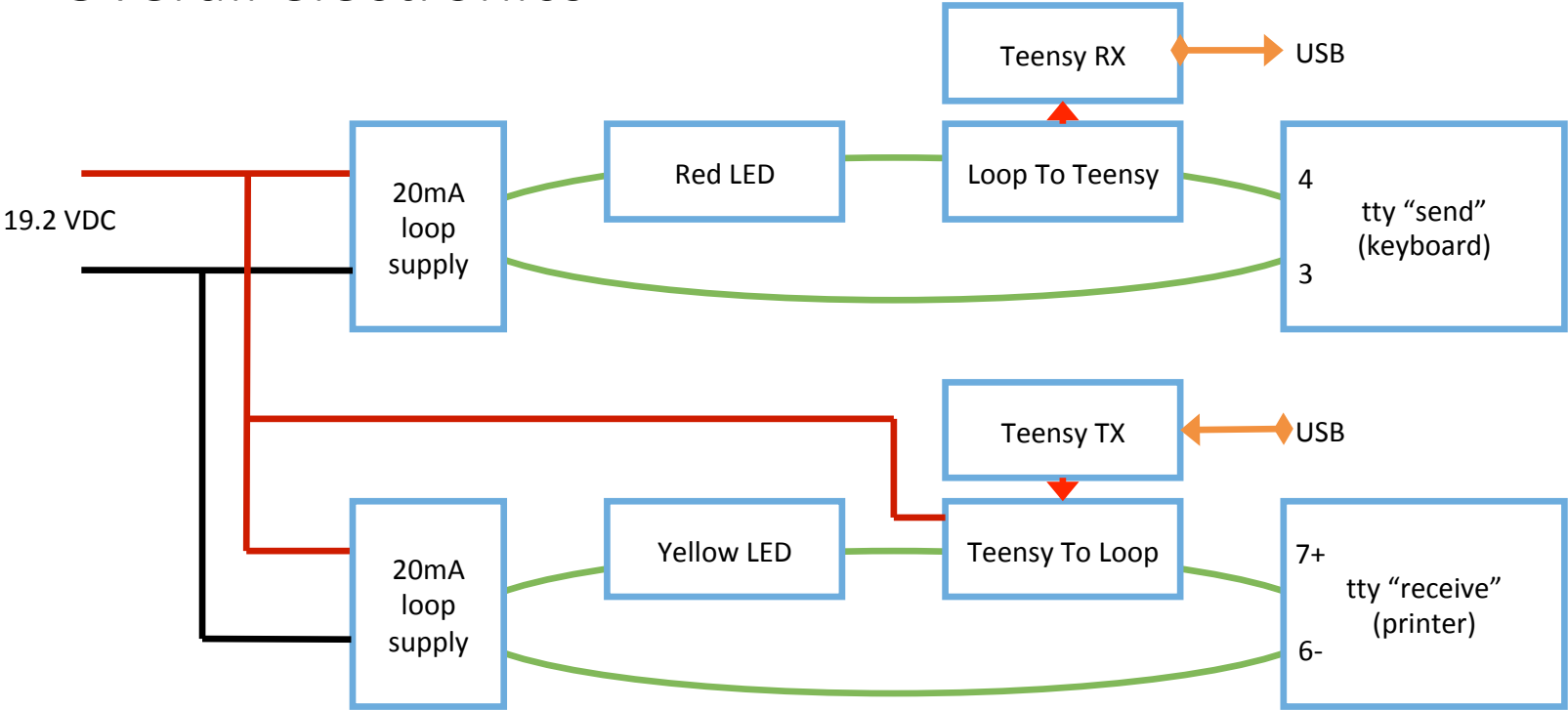


tty/usb

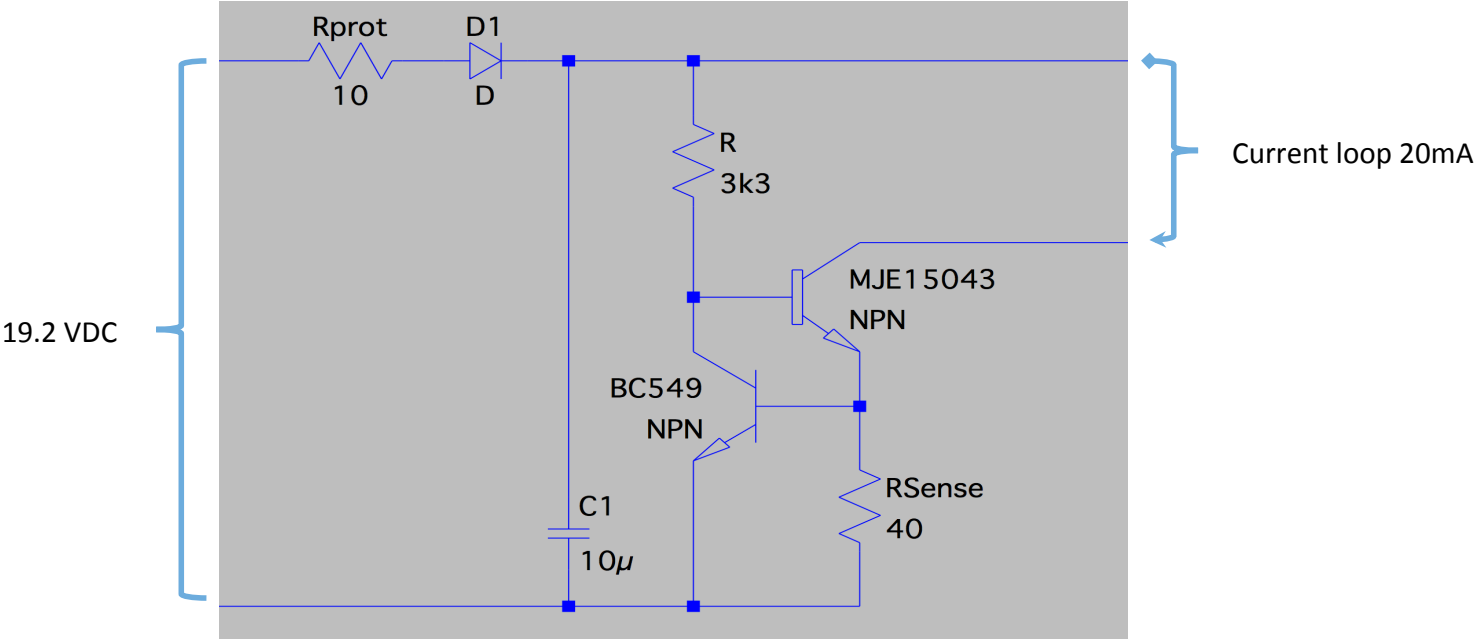
- 20mA loop USB interface for ASR33 teletype
- Duplex (separate transmit and receive loops)
- Active (integrated current source, since ASR33 is passive)
- Monitor activity with LEDs
- 110 baud loop data
- Some translation and processing in Teensy firmware (switchable)
 - Uppercase → lowercase
 - ASCII-63 special characters to Unicode
 - Delay after CR, LF



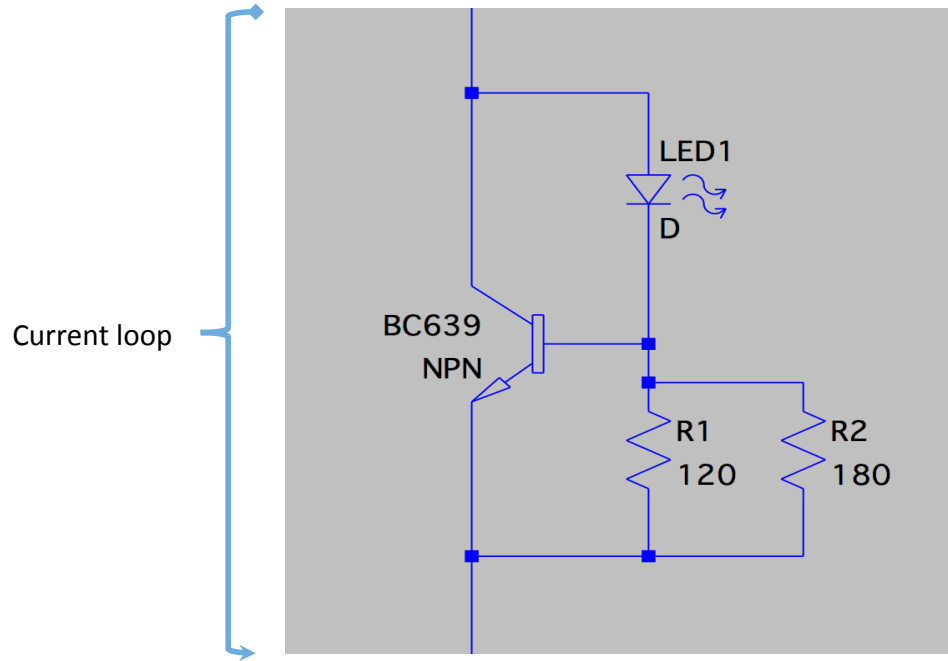
Overall electronics



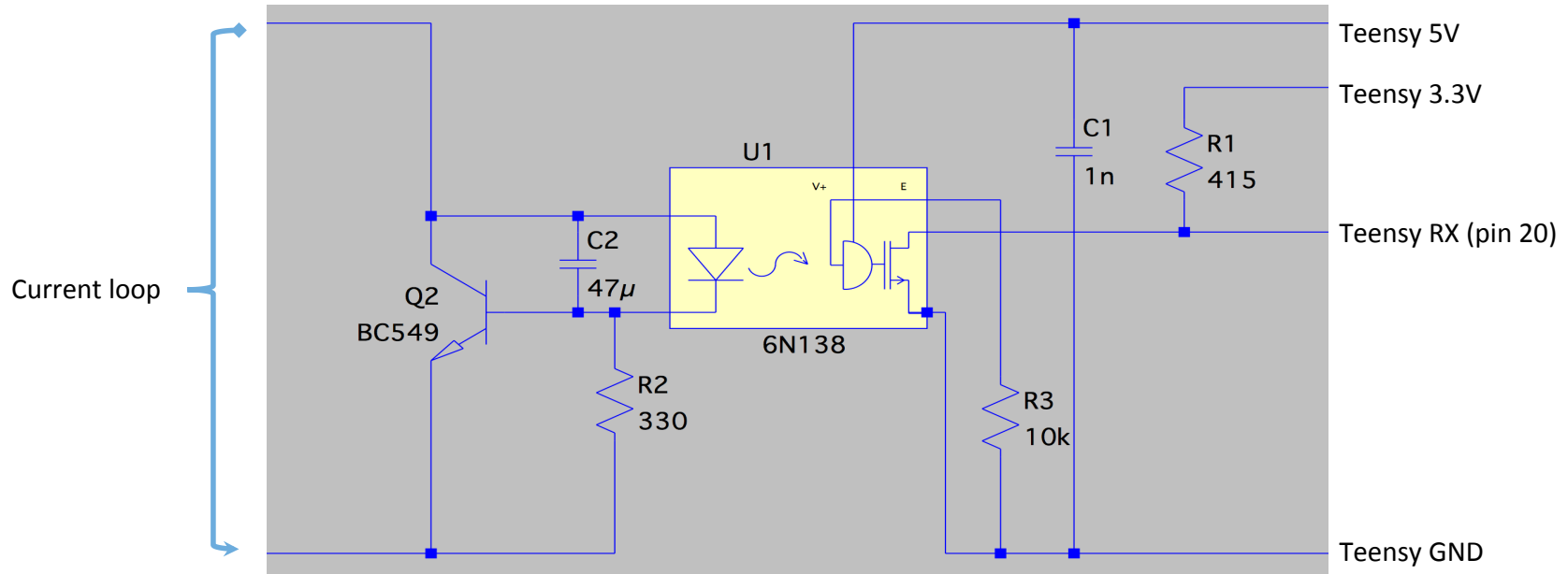
20mA loop supply



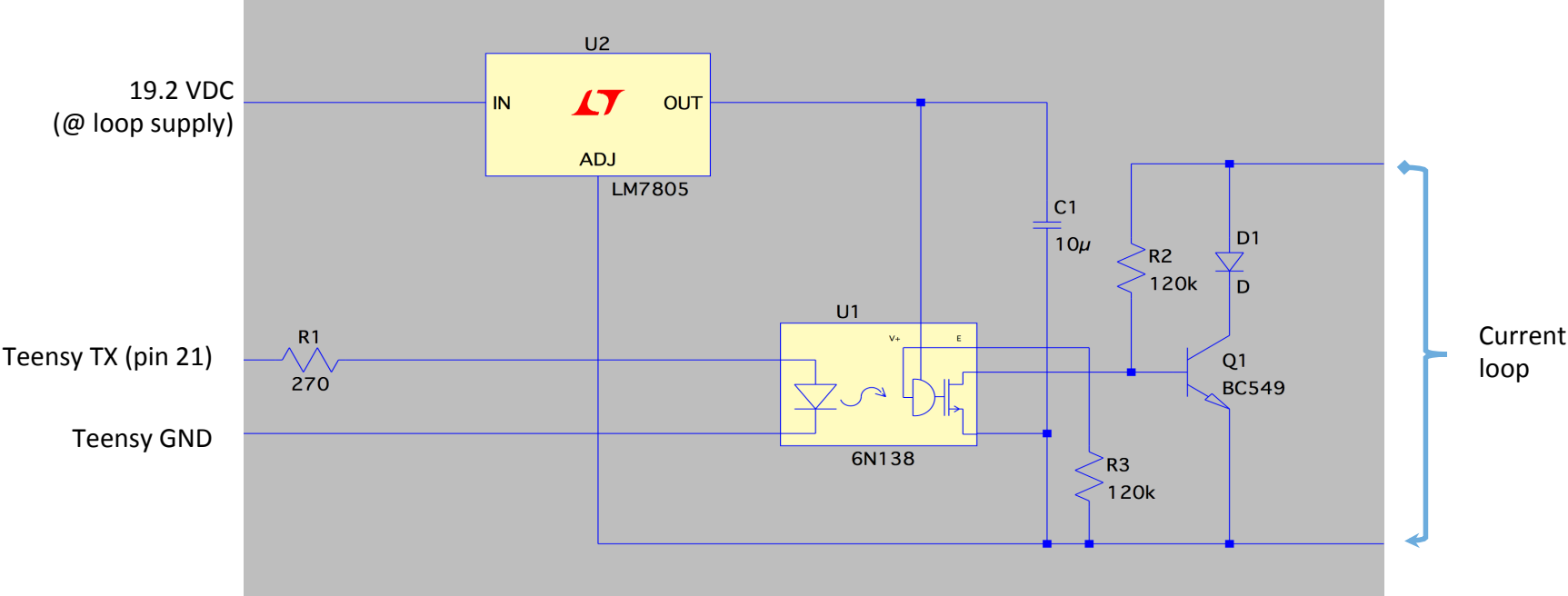
LED driver (~10mA)

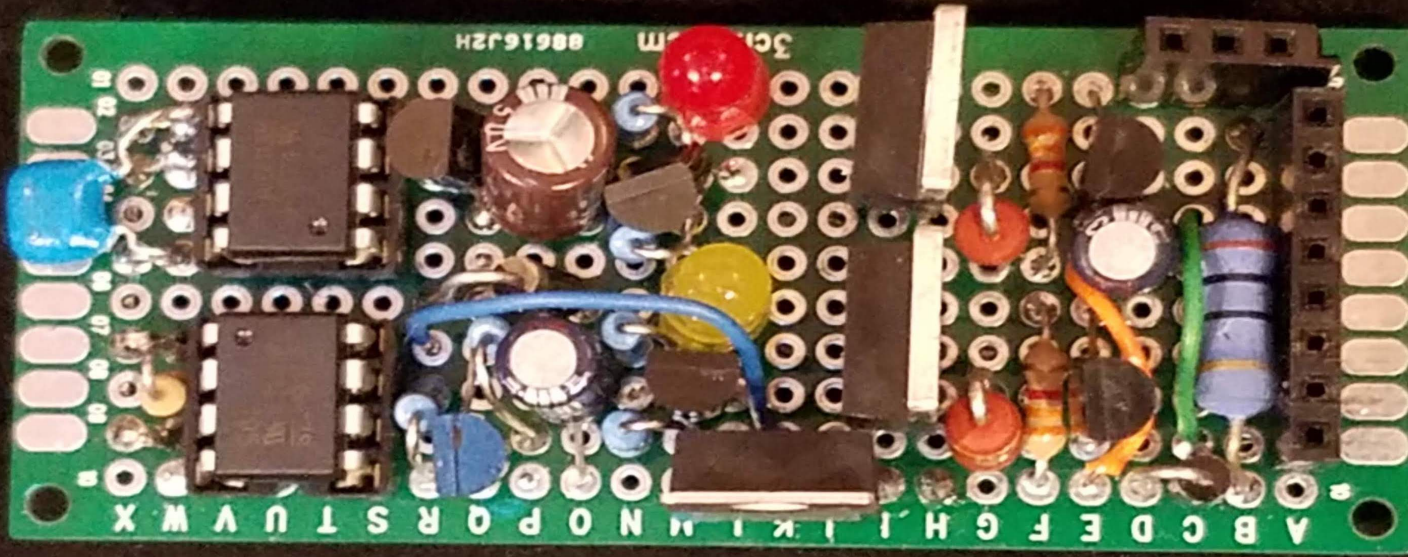


Loop to Teensy

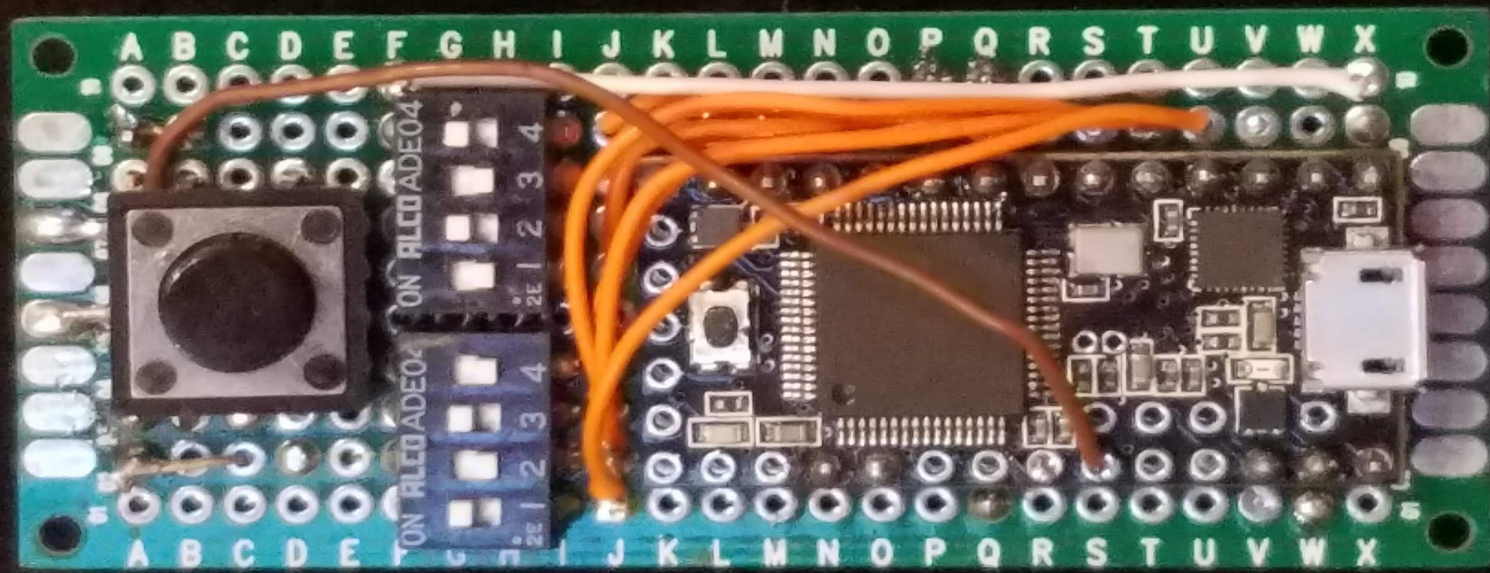


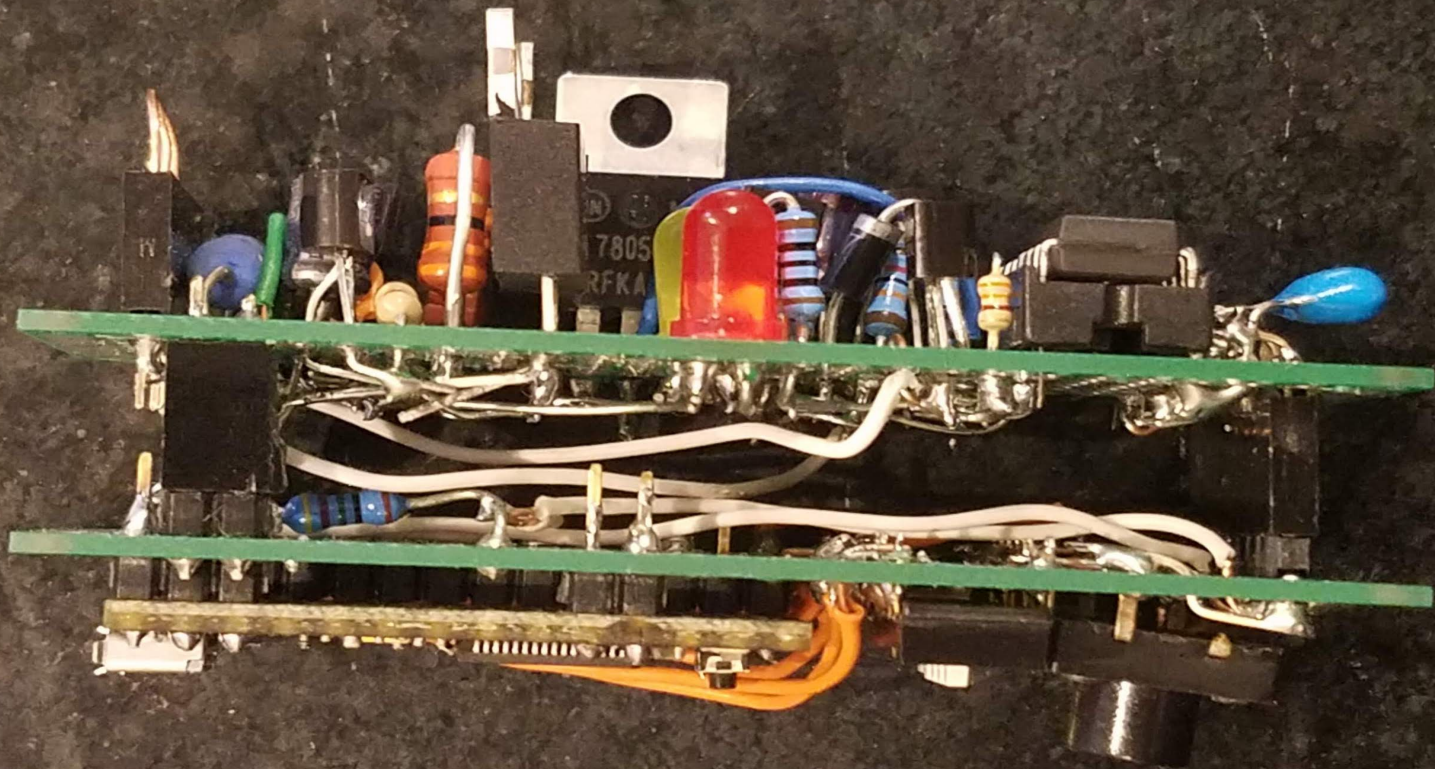
Teensy To Loop

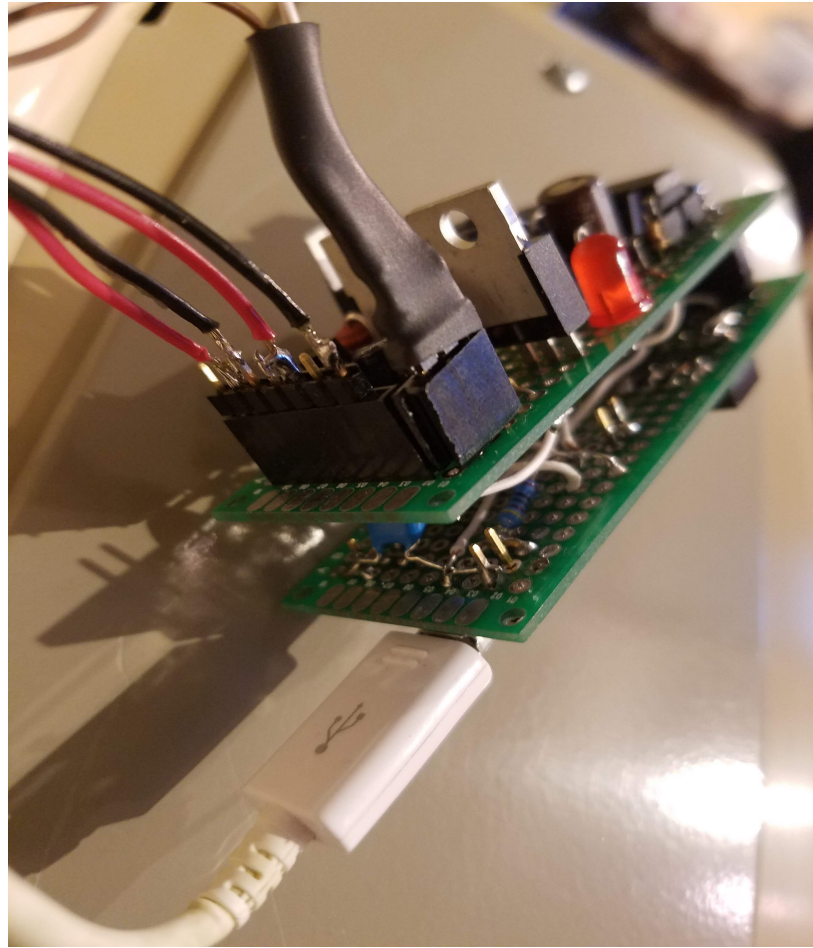




VIN +19.2
TTY 7 +RECEIVE
VIN GND
TTY 6 -RECEIVE
n/c
TTY 3 SEND
TTY 4 SEND
VIN GND







LAST LOGIN: TUE SEP 25 16:51:11 ON CU-USBMODEM12391
WELCOME.

⌘ XS
-KSH: XS: NOT FOUND

⌘ LS
DESKTOP DOWNLOADS MOVIES PICTURES
DOCUMENTS LIBRARY MUSIC PUBLIC

⌘ PWD
/USERS/FOO
⌘ WHOAMI

33

⌘ UNAME -A

DARWIN HMAC 17.7.0 DARWIN KERNEL VERSION 17.7.0: THU JUN 21 22:53:14

⌘ STTY -A

SPEED 115200 BAUD; 0 ROWS; 0 COLUMNS;

LFLAGS: ICANON ISIG IEXTEN ECHO ECHOE -ECHOK ECHOKO -ECHO NL ECHOCTL
-ECHO PRT -ALTWERASE -NOFLSH -TOSTOP -FLUSHO PENDIN -NOKERNIN
-EXTPROC

IFLAGS: -ISTRIP ICRNL INLCR -IGNCR -IXON -IXOFF -IXANY IMAXBEL -IUTF
-IGNBRK BRKINT -INPCK -IGNPAR -PARMRK

OFLAGS: OPOST ONLCR OXTABS ONOCR ONLRET

CFLAGS: CREAD CS8 -PARENB -PARODD HUPCL CLOCAL -CSTOPB CRTSCTS -DSRF
-DTRFLOW -MDMBUF

CCHARS: DISCARD = ^O; DSUSP = ^Y; EOF = ^D; EOL = <UNDEF>;

EOL2 = <UNDEF>; ERASE = ^?; INTR = ^C; KILL = ^U; LNEXT = ^V;

MIN = ^; QUIT = ^\; REPRINT = ^R; START = ^S; STATUS = ^T;

STOP = ^S; SUSP = ^Z; TIME = 0; WERASE = ^W;